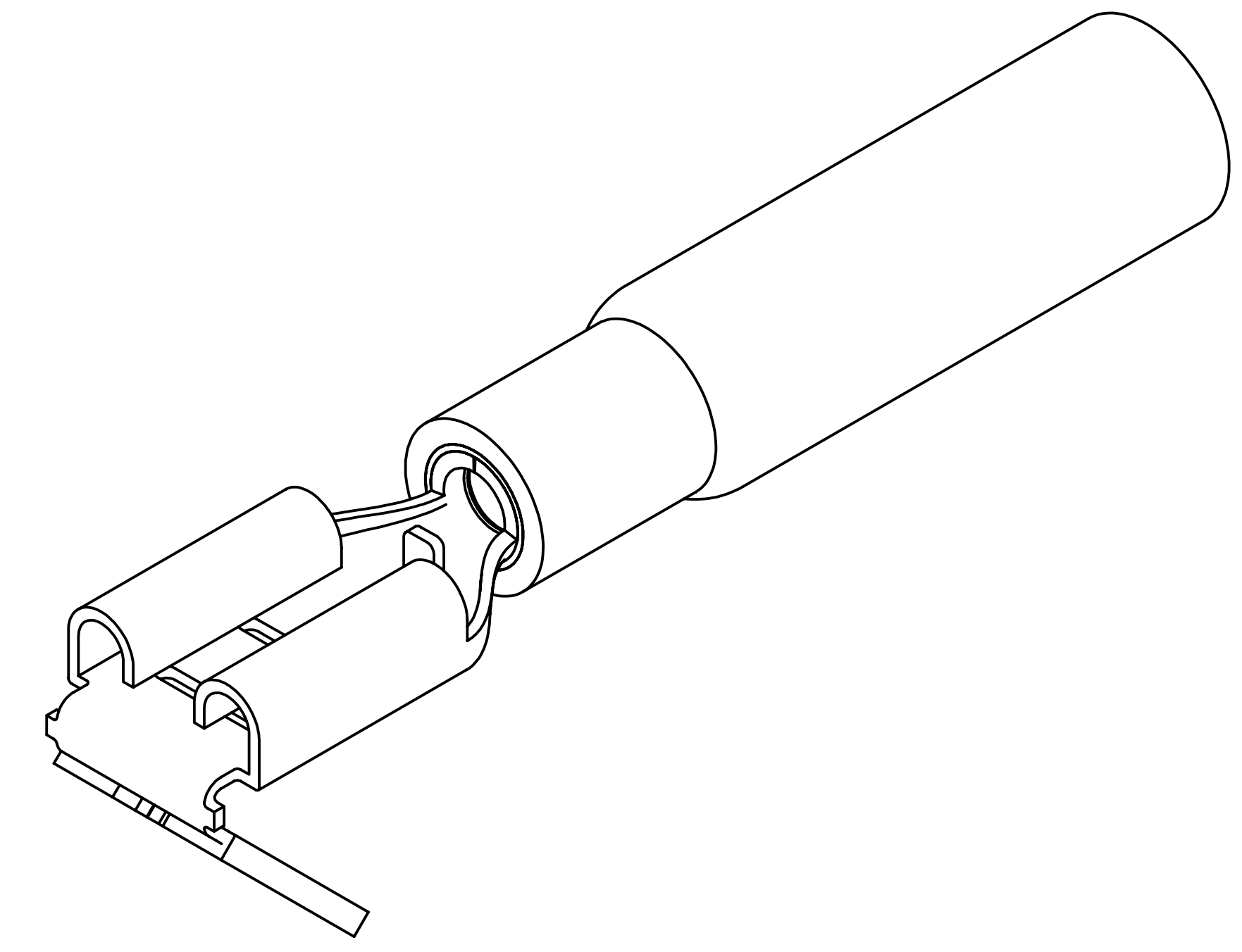
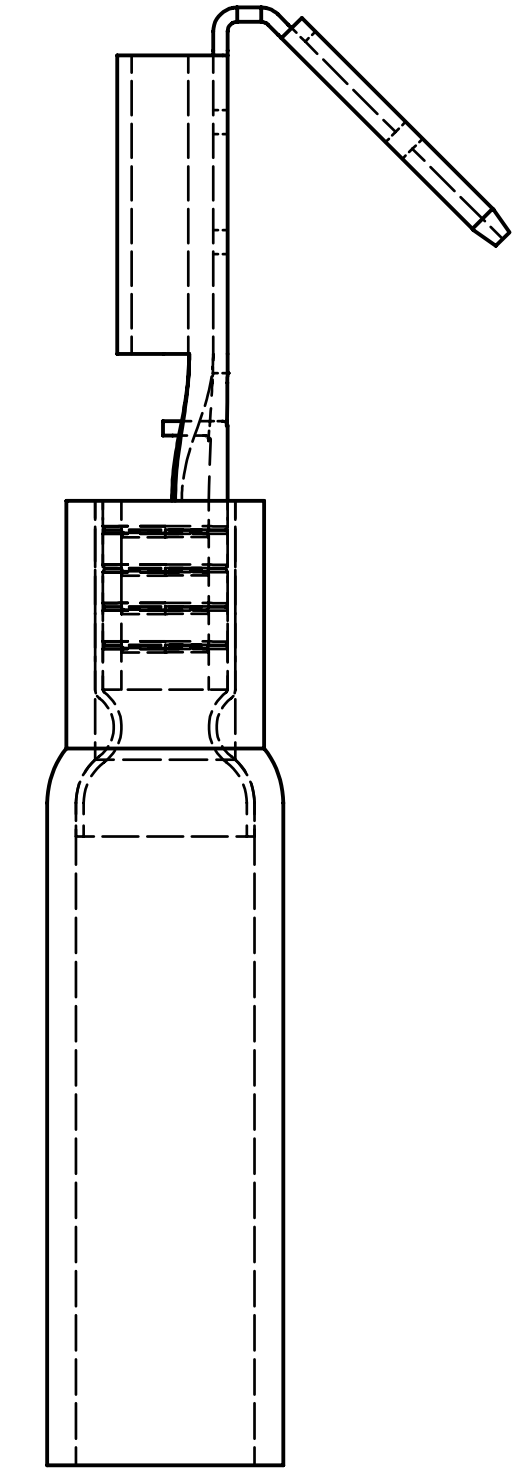
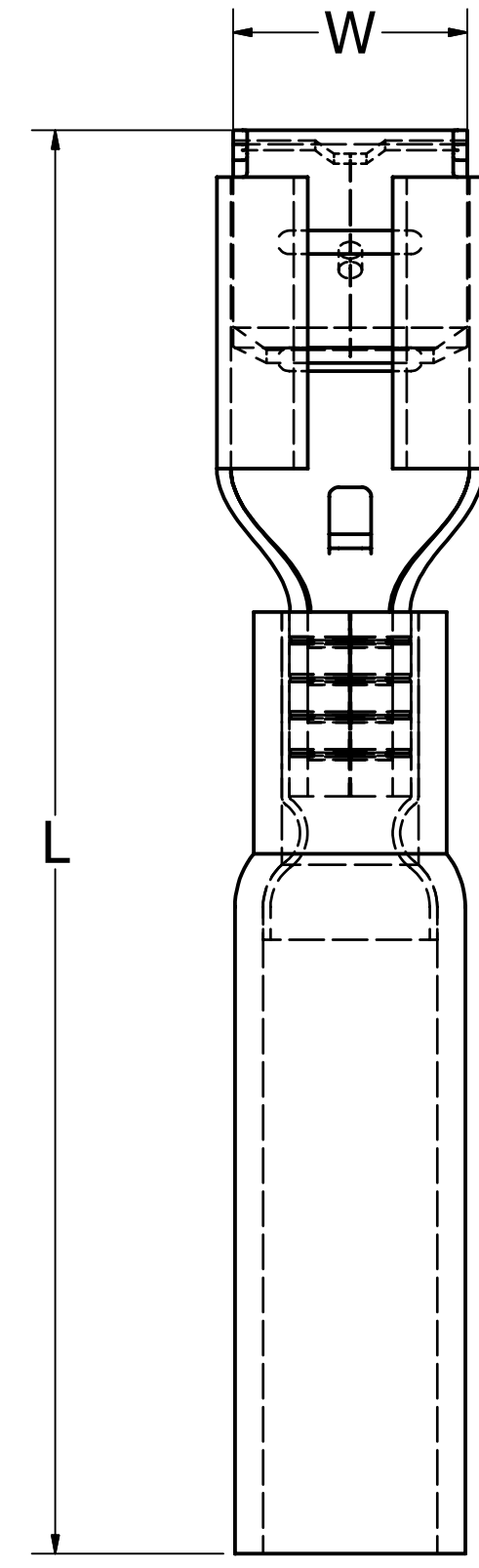


REV	DATE	DESCRIPTION	ECO	BY	C'H'K.
A	02/18/2019	NEW DRAWING CREATION	50838	PP	WP

WIRE SIZE (AWG)	CATALOG NUMBER	NEMA Tab Size	LENGTH (L)	WIDTH (W)	WIRE STRIP LENGTH $\pm .03$ [$\pm .8$]	COLOR CODE	INSTALLATION TOOLING (ONE CRIMP)
22-18 Str. and Sol.	PGHS1825X03D	.25 X .03	.91 [23.1]	.25 [6.4]	5/16" [7.9]	RED	Y10D, Y1022, MR22
16-14 Str. and Sol.	PGHS1425X03D					BLUE	



NOTES:

1. TERMINAL: TIN PLATED COPPER
2. INSULATION: HEAT SHRINK
3. DIMENSIONS IN BRACKETS [] ARE IN MILLIMETERS AND ARE FOR REFERENCE ONLY.
4. WIRE CONNECTOR:
 MINIMUM SHRINK TEMPERATURE: 135°C
 OPERATING TEMPERATURE RANGE: -55°C TO 110°C

TO ORDER BURNDY® PRODUCTS CALL		HEAT SHRINK INSULATED DISCONNECTS	
UNITED STATES 1-800-346-4175 (LONDONDERRY, NH)		ITEM NO: N/A	
CANADA: 1-800-361-6975 (QUEBEC) 1-800-387-6487 (ALL OTHER PROVINCES)		CAT. NO: TYPE PGHS	
FOR PRODUCT INFO: http://www.burndy.com		DRAWN BY: P.PRASANATH 2/18/2019	
		CHECKER: P.WINSON 2/18/2019	
		DSN APRVL: K.CASTONGUAY 2/19/2019	
		MFG APRVL: --	
		QA APRVL: B.ELLIOTT 2/19/2019	
		MKT APRVL: M.BAILLY 2/18/2019	
		PROD FAM: --	DRAWING NO
		PROJECT #: --	50094217
		DOCUMENT TYPE: SALES	REV
		REL LEVEL: Released	A
			SHEET 1 OF 1